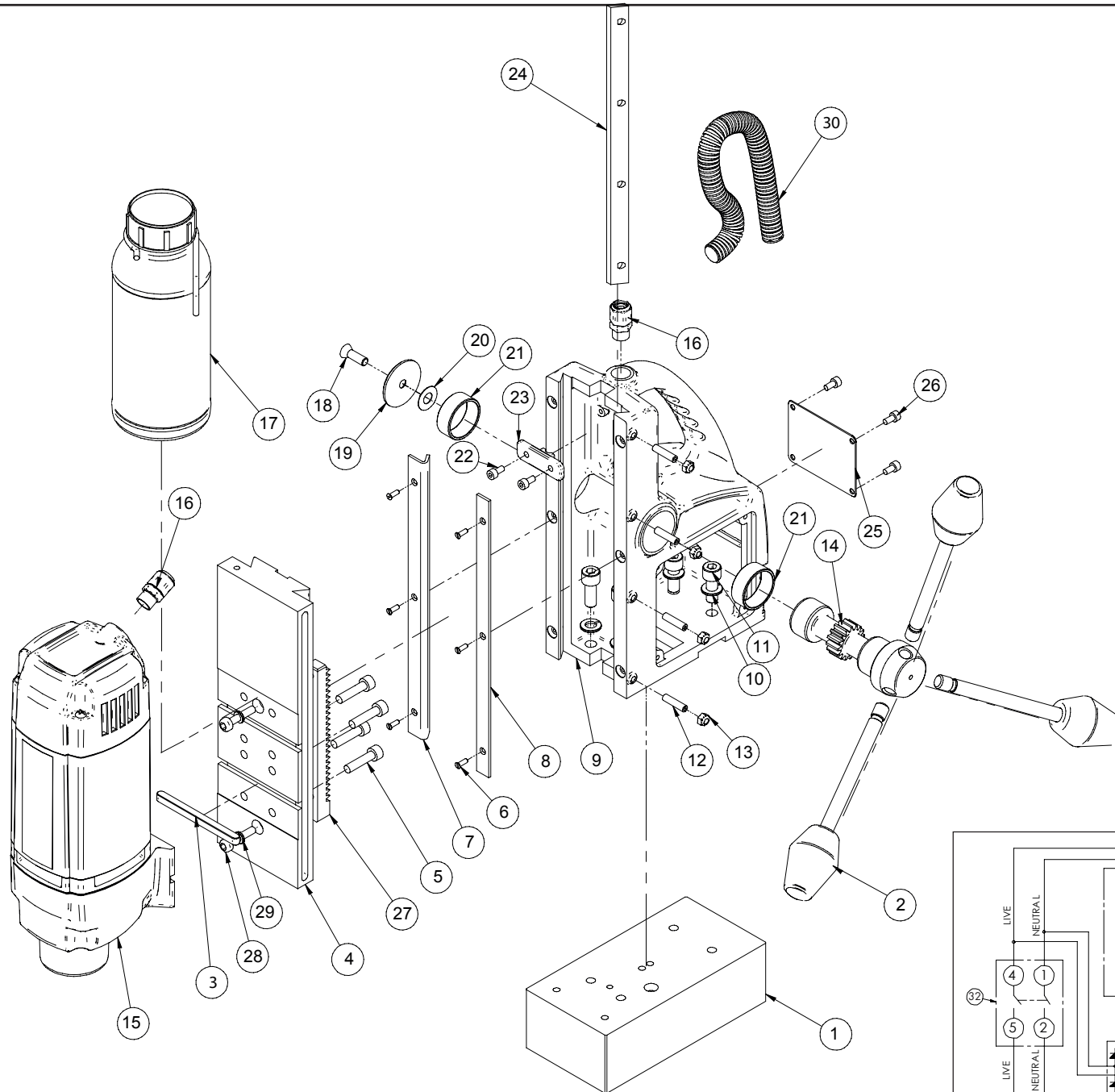


BHM35 Stand Unit - 110/240v

No.	PART NAME	PART No.	Qty.
1	Magnet base Assy.	M0031	1
2	Handle lever Assy.	EB001	3
3	Key	EB002	1
4	Guide Plate	EB003	1
5	Screw M6 x 25	SC625CAP	4
6	Countersunk screws M3x8	EB004	6
7	Brass Strip Left	EB005	1
8	Brass Strip Right	EB006	1
9	Main Body	EB007	1
10	Spring washer M8	EB008	4
11	Screw M8 x 20	SC820CAP	4
12	Grub Screw M5 x 20	SC520GRUB	4
13	Lock nut M5	10085B	4
14	Spindle	EB009	1
15	BHM35 Drill Unit - 110V	EIB31	1
15	BHM35 Drill Unit - 240V	EIB32	1
16	Gland PG9	40025	2
17	Coolant bottle Assy.	EB010	1
18	Spindle Lock countersunk screw M6 x16	EB011	1
19	Spindle cap	EB012	1
20	Lock foil	EB013	1
21	Spindle bush	EB014	2
23	Cord Clamp	EB015	1
24	Gib	EB016	1
25	Spec.plate	EB017	1
22,26	Screw M4x10	SC410CAP	6
27	Rack	EB018	1
28	Screw M5 x 25	SC525CAP	2
29	Int.tooth lock washer M5	EB019	2
30	Cable conduit	M0443	1
Not shown	Safety guard	VISO018	1



Switch Panel & Wiring diagram - 110/240v

31	Switch plate (not shown)	NCP21	1
32	Drill stop/start switch 110v	NCP001	1
32	Drill stop/start switch 240v	NCP002	1
33	Magnet switch	NCP006	1
34	25A Bridge Rectifier	M0401	1

NOTE: The Bridge Rectifier is glued to the reverse side of the switch plate.

