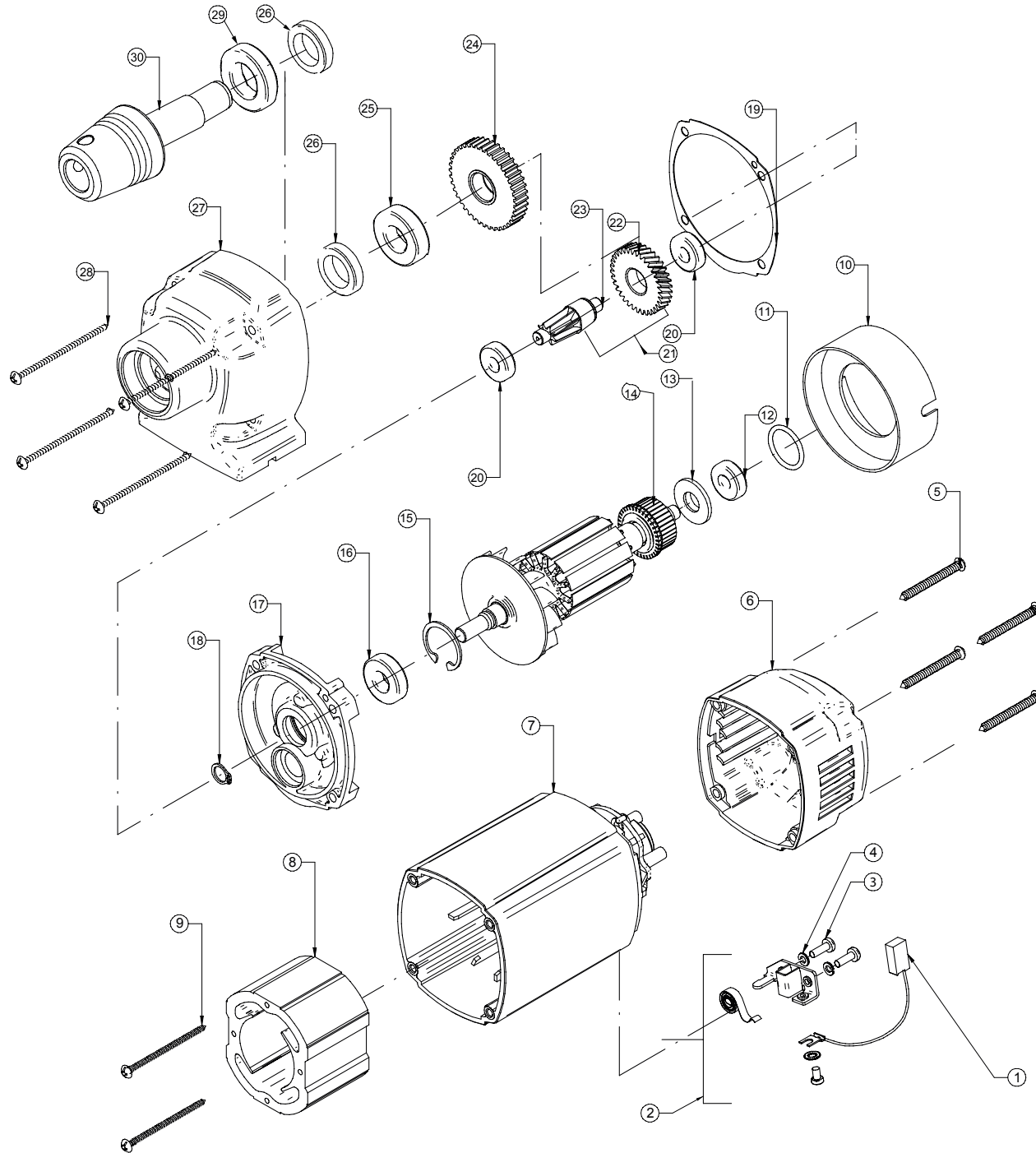
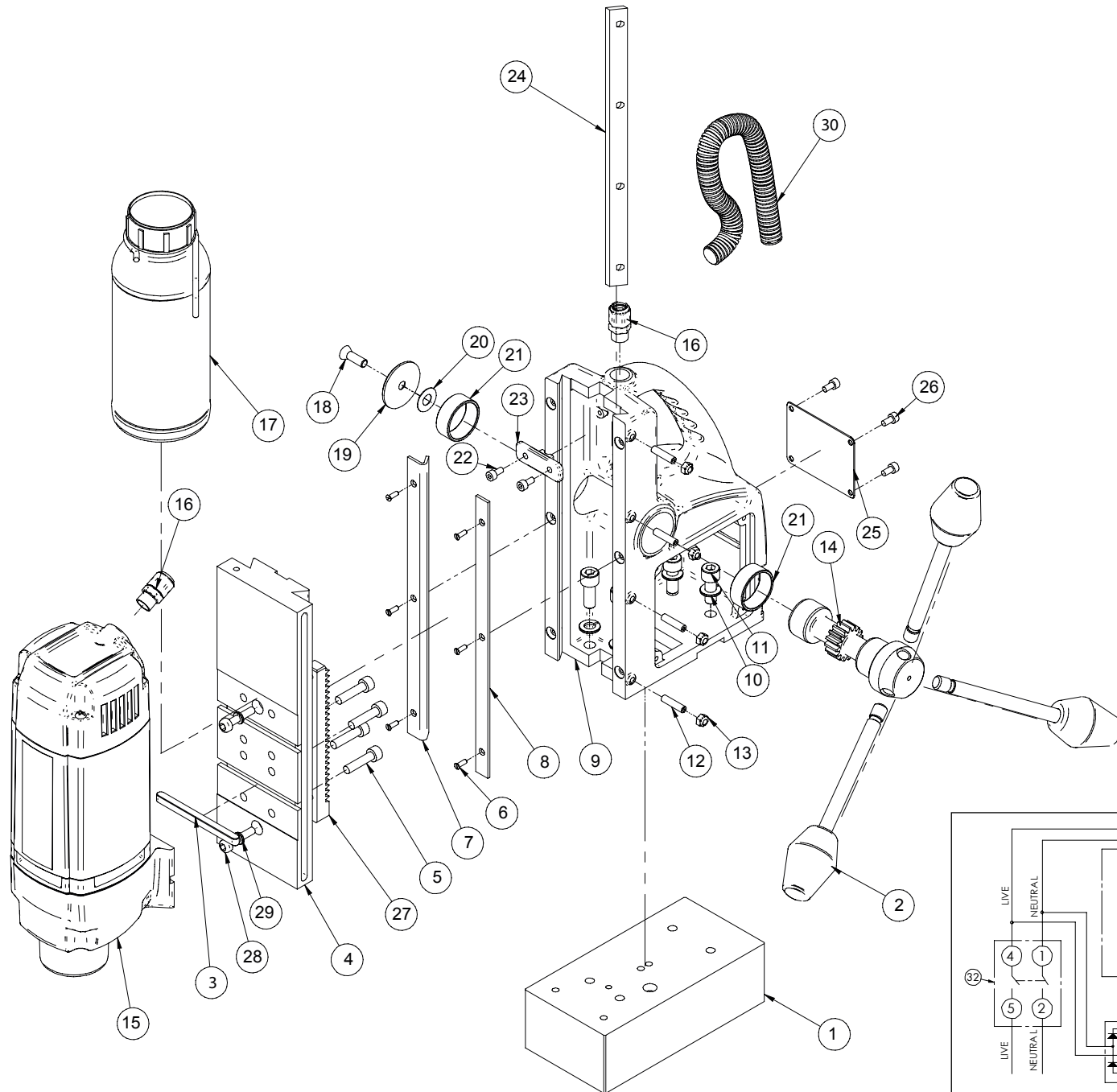


BHM35 Drill Unit - 110/240v

No.	PART NAME	PART No.	Qty.
1	Carbon brush Assy. 6.3x10x18	EBD002	2
2	Brush holder Assy.	EBD001	2
3	Screw M4 x12	EBD003	4
4	Spring Washer M4	EBD004	4
5	Philips head self tap screw 4.8x45	EBD005	4
6	Back cover	EBD006	1
7	Field coil casing	EBD007	1
8	Field Coil Assy. 110v.	EBD008-A	1
8	Field Coil Assy. 240v.	EBD008-B	1
9	Philips head self tap screw 3.9x60	EBD009	2
10	Baffle	EBD010	1
11	O Ring	EBD011	1
12	Dust washer	EBD012	1
14	Armature Assy. 110v	EBD013-A	1
14	Armature Assy. 240v	EBD013-B	1
15	Circlip 28mm x 1.2 B TYPE	EBD014	1
16	Ball Bearing (12-28-8)6001 2Z	UDC023	1
17	Gear case cover	EBD015	1
18	Circlip 10mm x 1 A TYPE	EBD016	1
19	Gasket	EBD017	1
21	Inter shaft Assy.	EBD018	1
24	Spindle Gear	EBD019	1
25	Ball Bearing (17-35-10) 6003 2RS	UDC004	1
26	Oil Seal 20-30-7 TYPE B	EBD020	2
27	Gear case	EBD021	1
28	Philips head self tap screw 4.8 x 60	EBD022	4
29	Ball Bearing 6904 2RS	EBD025	1
30	Spindle Assy.	EBD023	1
12,20	Ball Bearing (8-22-7) 608 2Z	UDC022	3



BHM35 Stand Unit - 110/240v



No.	PART NAME	PART No.	Qty.
1	Magnet base Assy.	M0031	1
2	Handle lever Assy.	EBO01	3
3	Key	EBO02	1
4	Guide Plate	EBO03	1
5	Screw M6 x 25	SC625CAP	4
6	Countersunk screws M3x8	EBO04	6
7	Brass Strip Left	EBO05	1
8	Brass Strip Right	EBO06	1
9	Main Body	EBO07	1
10	Spring washer M8	EBO08	4
11	Screw M8 x 20	SC820CAP	4
12	Grub Screw M5 x 20	SC520GRUB	4
13	Lock nut M5	10085B	4
14	Spindle	EBO09	1
15	BHM35 Drill Unit - 110V	EIB31	1
15	BHM35 Drill Unit - 240V	EIB32	1
16	Gland PG9	40025	2
17	Coolant bottle Assy.	EBO10	1
18	Spindle Lock countersunk screw M6 x16	EBO11	1
19	Spindle cap	EBO12	1
20	Lock foil	EBO13	1
21	Spindle bush	EBO14	2
23	Cord Clamp	EBO15	1
24	Gib	EBO16	1
25	Spec.plate	EBO17	1
22,26	Screw M4x8	SC410CAP	6
27	Rack	EBO18	1
28	Screw M5 x 25	SC525CAP	2
29	Int.tooth lock washer M5	EBO19	2
30	Cable conduit	M0443	1

Switch Panel & Wiring diagram - 110/240v

31	Switch plate (not shown)	NCP21	1
32	Drill stop/start switch 110v	NCP001	1
32	Drill stop/start switch 240v	NCP002	1
33	Magnet switch	NCP006	1
34	25A Bridge Rectifier	M0401	1

NOTE: The Bridge Rectifier is glued to the reverse side of the switch plate.

